

MICOS

MOTION CONTROL & OPTICS **USA**

[Terms](#) | [Sitemap](#) | [About us](#) | [Contact](#) | [Catalog](#) | [Shows](#) | [News](#) | [Offices](#) | [Partners](#) | [Press Center](#) | [Support](#) | [Team](#) | [Home](#)

MICOS USA • 15375 BARRANCA PARKWAY • STE G101 • IRVINE • CA 92618 • PHONE 949 480 0538 • FAX 949 480 0538

Page

◀ 2.240 ▶ Slit ASS 5E / Slit ADS 5E

Positioners



Key features

- Clear aperture 5 mm
- High Resolution up to 0.00277 μm
- Maximum speed 0.8 mm/sec
- High-precision ball-bearings
- Special, tempered Aluminium
- Limit switches integrated
- Module combination

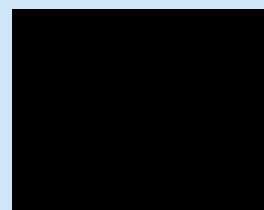
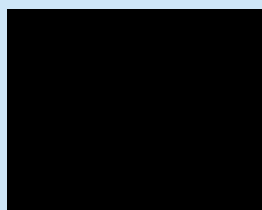
DESCRIPTION

Slit and cross slits of the structural series **ASS 5E** and **ADS 5E** of MICOS are high quality instruments for industry and research especially in the field of laser application and radiotechnology. The slits are provided with a motor-driven aperture with maximum 5 mm aperture. With an aperture of 1 mm the slit can be positioned from the optical axes by +/- 2.5 mm without any correction. The slits are standard made from aluminium alloy or stainless steel. For high energetic radiation slits up to 3 mm thickness made from Wolfram, Titan or stainless steel are optionally offered. All slits are calibrated in pairs and lobed. The slits are driven alternatively by 2-phase-step motors or DC-motors. High-precision, selected prestressed recirculating ball screws

Slit [options]

S-451A / S-451R

[rear]



guarantee a parallel opening and closing of the slits. In case of collision or damage the slits are protected by a safety clutch respectively a limit switch. By mounting two single slits one cross slit can be configured without problems.





Slit jaws are not included in delivery but must be ordered separately.

Technical data

Travel Range (mm)	5
Bi-directional Repeatability (µm)	+/- 2
Uni-directional Repeatability (µm)	+/- 0.1
Accuracy per 5 mm (µm)	+/- 5
Velocity Range (mm/sec)	0.001 ... 0.8
Leadscrew Pitch (mm)	0.25

Speed max.(mm/sec)

<u>DC-B-010</u> 	0.8
<u>2Phase-010</u> 	0.25

Resolution Open-Loop (µm)

<u>2Phase-010</u>	
single slit X	0.0274 (SMC) 0.274 (FS)
double slit XY	0.00137 (SMC) 0.0137 (FS)

Resolution Closed-Loop (µm)

<u>RE-005</u> , Rotary encoder feedback	
single slit X	0.00554
double slit XY	0.00277

Current (Amps) / Voltage (Volts)

<u>DC-B-010</u>	0.32 12
<u>2Phase-010</u>	1.2 -

Material

Special tempered Aluminium, black anodized

Weight (kg)

0.4

Note: (SMC): Micro-Step Mode, (FS): Full-Step 2Phase

More info: Detailed information, concerning inserts, see Accessories page 7.030

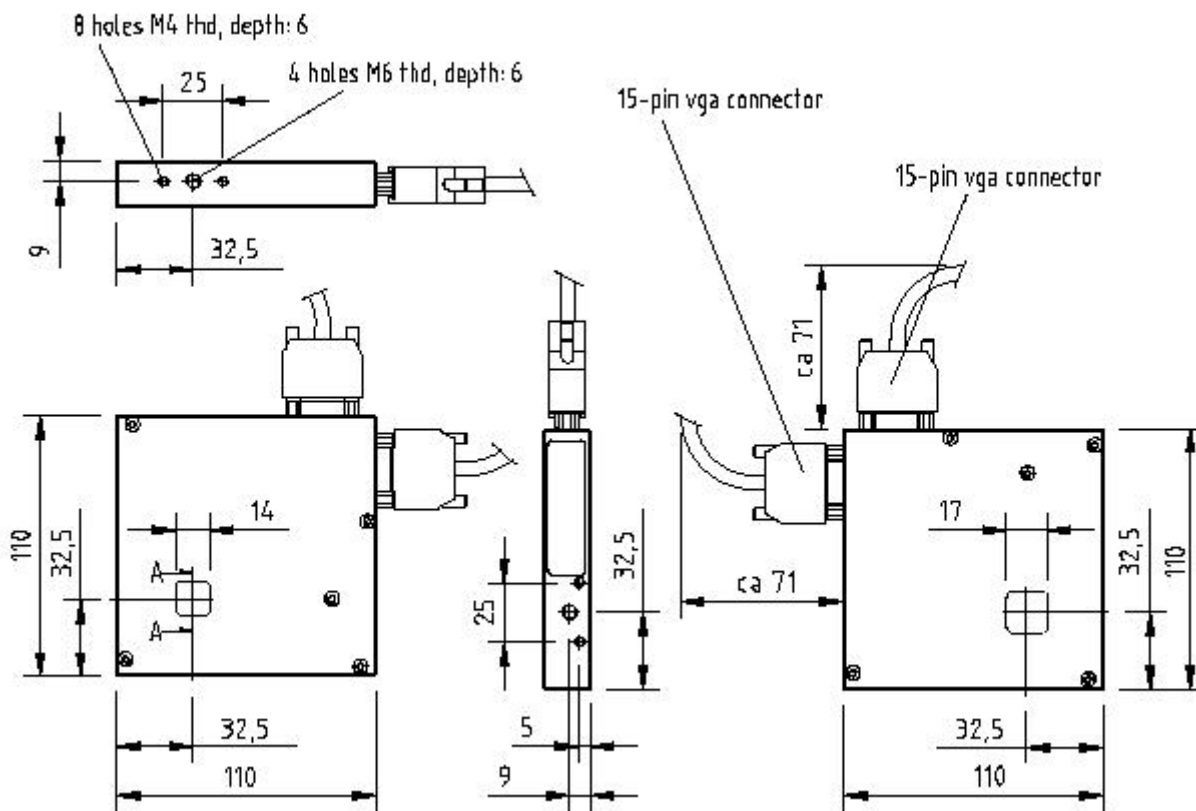
MOTION CONTROL Systems Positioners MiniPos DirectDrives Controllers ManPos Accessories Vacuum MAC PhotonX M A C

ASS 5E Base & Motors

Travel range

5 mm

[Download PDF](#)

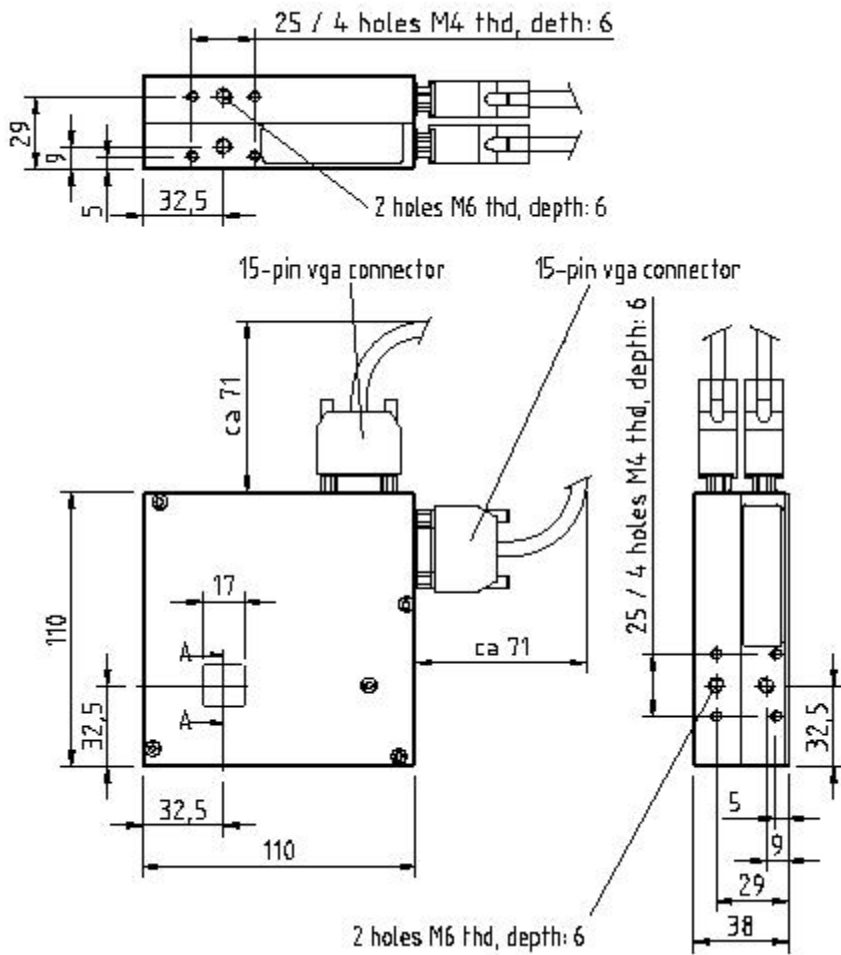


ADS 5E Base & Motors

Travel range

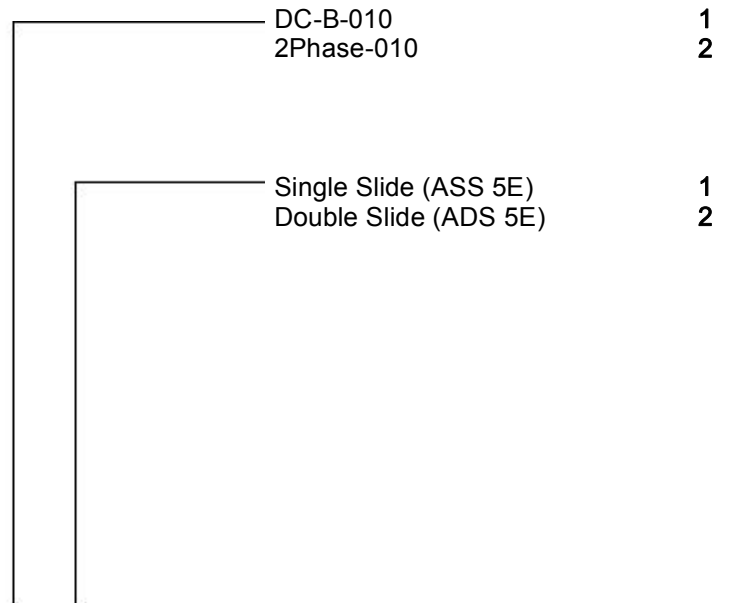
5 mm

[Download PDF](#)



MOTION CONTROL Systems Positioners MiniPos DirectDrives Controllers ManPos Accessories Vacuum MAC PhotonX M A C

ASS 5E / ADS 5E Ordering information



6710-9- 0

components and systems for research and industry. We are experts in vacuum, ultra-high vacuum, clean room, and extreme climate environments down to 77 Kelvin. ▶▶

[Terms](#) | [Sitemap](#) | [About us](#) | [Contact](#) | [Catalog](#) | [Shows](#) | [News](#) | [Offices](#) | [Partners](#) | [Press Center](#) | [Support](#) | [Team](#) | Home
MOTION CONTROL = [Systems](#) | [Positioners](#) | [MiniPositioners](#) | [DirectDrives](#) | [Controllers](#) | [ManPositioners](#) | [Accessories](#) | [Vacuum](#)
MAC.PhotonX = [Moskito](#) | [Albatros](#) | [Campus](#)

Copyright 2006 © MICOS GmbH